

LEAP

ENGINEERED PRODUCTS

STANDARDIZED BULK HANDLING EQUIPMENT



Screw Feeder

www.leapengineeredproducts.com

A division of CON-V-AIR Inc.

Screw Feeder

Specifications

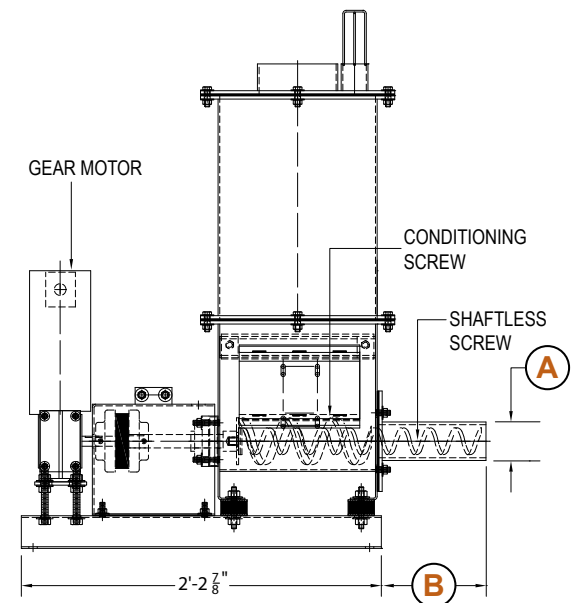
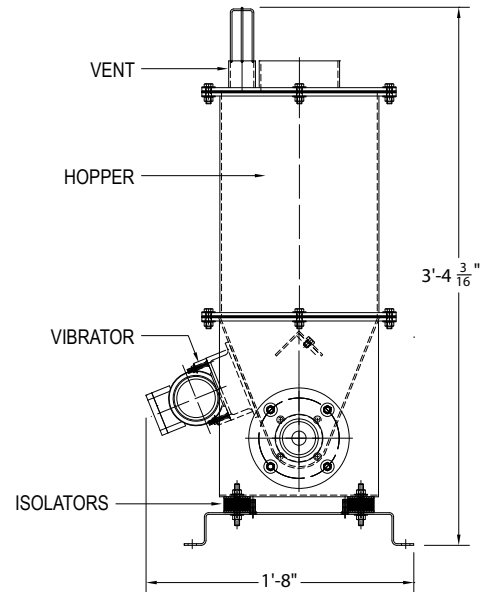
- Stainless steel construction
- 90 V, ½ HP, TENV, DC Motor
- Speed reducer with 60 RPM output
- Conditioning screw
- Heavy duty 120V vibrator
- Shaftless screw suitable for heavy load and sticky products
- Low speed for greater precision
- Heavy duty isolators
- 1 cu ft hopper
- Direct drive guard
- Precision: $\pm 2\%$

Options

- 120 V control panel with 4-20 mA input and face mounted potentiometer. Auto-manual-off modes
- Explosion proof construction
- Pneumatic vibrator
- Load cells
- AC motor with variable frequency drive
- Oversized hopper

Selection Chart

Inches (mm)				Maximum Feed Rates (Note: Typical Turndown is 20 to 1)	
Model	Screw Diameter	A Feed Tube Diameter	B Feed tube Length	CU FT/HR	CU M/HR
SF 1	1 (25)	1 1/2 (38)	6 1/4 (159)	2	0.07
SF 1.5	1 1/2 (38)	2 (51)	6 1/4 (159)	6.2	0.14
SF 2	2 (51)	2 1/2 (63)	6 1/4 (159)	16.1	0.42
SF 3	3 (76)	3 1/2 (89)	12 (305)	51.8	1.4



Price list and complete AutoCAD drawings available at www.leapengineeredproducts.com



A division of CON-V-AIR Inc.

info@leapengineeredproducts.com

Phone: **450 462-5456**

Fax: **450 462-4695**

www.leapengineeredproducts.com

3502 1^{re} rue, St-Hubert (Quebec)

J3Y 8Y5, Canada

